

LORRIER

LR Series LoRaWAN™ Gateway

LR 2 EU
868 MHz



LORRIER LR2 is an improved carrier grade* gateway for building professional IoT network based on LoRaWAN™ protocol. It is capable to communicate with all LoRa® based products towards LoRaWAN™ network. This is a fully outdoor device intended to establish a wide coverage IoT network built by telecommunications operators as well as a local network built by individuals or IoT connectivity service providers.

The installation in tandem with the suitable antenna on the appropriate Point of Presence (like telecommunications pylons, roofs of the buildings etc.) can establish bidirectional communication network which allows handling with thousands nodes up to several dozen kilometers.

All HW & SW is released as open source.

* designed for TELCO operators

OVERVIEW

Carrier Grade

It could be installed in any part of network, mostly in backhaul. The protocols IPsec, PPPoE, PPPTP are easily suitable for access area and protocols MPLS, OSPF, BGP for backhaul area. RouterOS allows covering a complete networking stack as well as firewall and src/dst NAT and much more.

Robust Design

IP66 Die cast Metal Enclosure covered with UV resistant paint to offer excellent weather resistance and improved RF noise protection.

FEATURES

- Long range wireless data transmission
- Easy settings with web administration
- Multiple Network servers data forwarding
- Ansible central management
- ETSI/CE Compliant
- Rich network stack

SPECIFICATIONS

Main control unit	BeagleBone Green 1GHz (2000 MIPS)
Network Gateway	Mikrotik Routerboard RB951Ui-2nD
LoRaWAN™ concentrator	IMST iC880A
Interface	SPI up to 10 MHz
Operational frequency	863 - 870 MHz
N° of simultaneous channels	8 ch., 125kHz and 500kHz channel BW
Supported protocol	LoRaWAN™ 1.0
Max. TX Power	20 dBm ERP
RX Sensitivity	- 137 dBm
IIP3 (LNA Gain conditions)	Lowest 10 dBm / Highest -28 dBm
Peak power consumption	12.4 W
Power connection	PoE: 8-30V DC (Non 802.3af)
Antenna connection	N-type, Output impedance: 50 Ω
Data Connections	Ethernet RJ-45/ WiFi (opt.) / Cellular (opt.)
OS	RouterOS & Debian Linux GNU
Environment resistance / Operating temperature	IP66 / -30 to + 60 °C

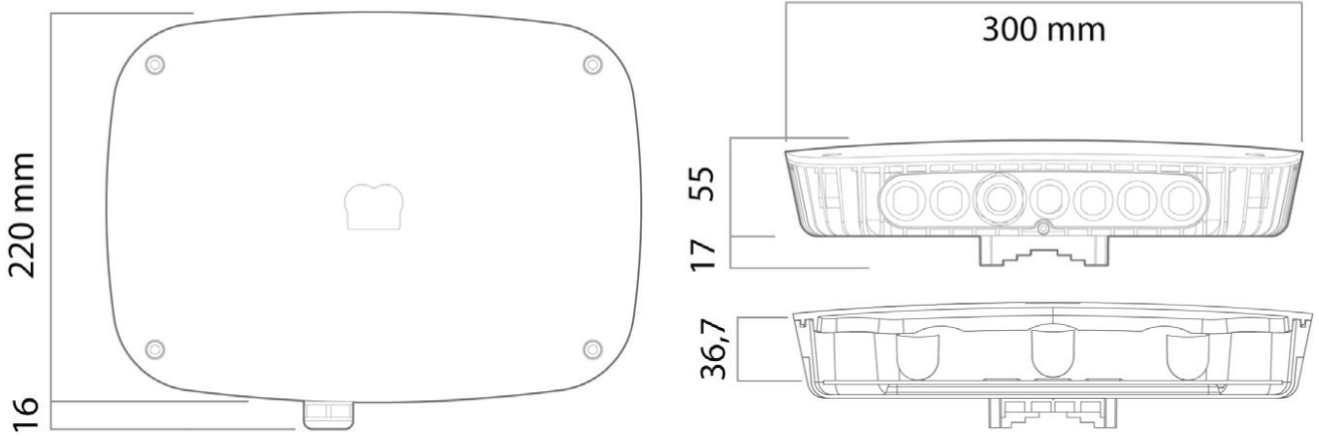
APPLICATIONS

LoRaWAN™ Network

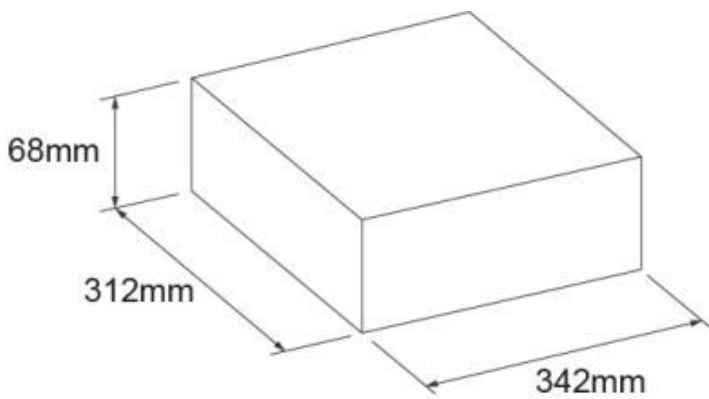
Enables creating LoRaWAN™ network coverage. For TELCO users it offers all benefits of scalable network settings.

DIMENSIONS / PACKAGING

Dimensions



Packaging



ORDERING INFORMATION

Orders on: lorrier.myshopify.com	
EAN Code: 0750253760045	
Weight package: 3 Kg	

CONTACT INFORMATION

[LORRIER s.r.o.](https://www.lorrier.com)
www.lorrier.com
info@lorrier.com

HW and SW released as Open Source under CDDL License on <https://github.com/lorriercom>